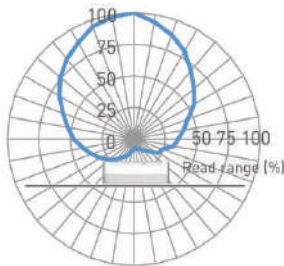




## XENSE TEMP

### Technical Specifications

- **RF protocol** EPC global Class 1 Gen 2
- **Frequency** 902-928 MHz (US); 865-868 MHz (EU)
- **IC type (chip)**<sup>1</sup> Asygn AS3211
- **Chip memory**<sup>2</sup> 192 bits EPC; 48 bits TID; 32 bits user memory
- **Customizable sensing features**  
Temperature; humidity; strain; ambient light; pressure; magnetic field (hall effect); electrical continuity
- **Read range off metal**<sup>3</sup> Up to 9.84 ft (3 m)
- **Read range on metal**<sup>3</sup> Up to 6.56 ft (2 m)
- **In concrete**<sup>3</sup> Up to 14.76 ft (4.50 m)
- **Polarization** Linear
- **Radiation pattern on metal**



### Key Features

- + **Wireless:** battery-free
- + **Temperature sensing:** monitor temperatures
- + **Embeddable:** for concrete
- + **IP68 rating:** waterproof
- + **Industry grade mounting systems**

### Applications

- Concrete curing
- Infrastructure monitoring
- Manufacturing assets

### Environmental Specifications

#### Temperatures



- Operational -40°C to +85°C
- Survival -40°C to +85°C

- **IP rating** IP68
- **Compression strength** 29 psi (200 kPa)
- **Shock** 3ft (1 m) to concrete/granite
- **Vibration** MIL-STD-810G
- **Warranty** 1 year

<sup>1</sup> The chip data retention is up to 50 years, based on chip operating under general environment conditions.

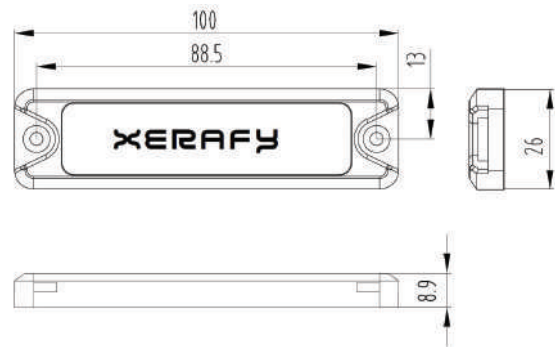
<sup>2</sup> EPC can be re-programmed, password protected, or permanently locked. TID is locked and unique at the point of manufacturing.

<sup>3</sup> Fixed reader



## Physical Specifications

- **Material** Industry grade polymer, Copper
- **Dimensions (in)**<sup>1</sup> 3.94 x 1.02 x 0.35
- **Dimensions (mm)**<sup>1</sup> 100 x 26 x 8.90
- **Rivet hole diameter** 0.137 in +/-0.008 (3.50 mm +/-0.20)
- **Weight** 0.68 oz (19.40 g)

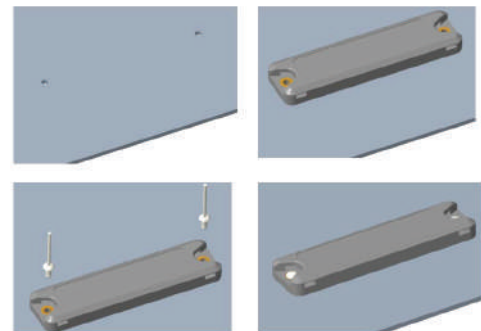


### Mounting Systems

- Casting
- Pop rivets
- Screws
- Cable ties
- Industrial adhesive (optional)

### Installation Instructions

1. Use M4 rivets for attachment:
  - Drill two holes (∅ 4) in the metal surface, pitch: 88.50 mm.
  - Utilize M4 rivets in conjunction with a rivet gun to securely fasten the tag onto the metal surface.
2. Use M4 screws for attachment:
  - Drill two holes (∅ 3.20) in the metal surface, pitch: 88.50 mm.
  - Perform a M4 thread tapping procedure.
  - Utilize M4 screws to securely attach the tag to the metal surface.



<sup>1</sup>Tolerance: +/- 0.02; +/- 0.50

## Industry Compliance



## Order Information

XENSE Temp Concrete US: X90A0-US100-AS3211

XENSE Temp Concrete EU: X90A0-EU100-AS3211

### Customization Options

Encoding

Laser Marking

ATEX Certified Version

Printing

Industrial Adhesives

The information provided by Xerafy Singapore Pte. Ltd. is for general information purposes only. All information on the datasheet is provided in good faith. However we make no representation or warranty of any kind, express or implied, regarding the accuracy, adequacy, validity, reliability, availability, or completeness of any information on the datasheet.

Under no circumstance shall we have any liability to you for any loss or damage of any kind incurred as a result of the use of the product or reliance on any information provided on the datasheet. Your use of the product and your reliance on any information on the datasheet is solely at your own risk.

